

Glydea™

E X P A N D I N G H O R I Z O N S



Motorization for draperies

 **BRIMAR** A distributor of **somfy**®

GLYDEA™ BROADENS YOUR HORIZONS

Today, drapery motorization is becoming the standard for hotel rooms, meeting venues, conference centers and luxury homes. With Glydea™, we offer a discreet, flexible and robust solution to serve your imagination and broaden your horizons.

ADD A DECORATIVE TOUCH

Heighten the style of your motorized window treatments by adding a designer fascia to the Glydea™ system. Handsome fascias by Brimar are unique wood poles from the Platforms, Botanica, English Manor, Versailles and Signature collections. View all styles at brimarin.com.





**MAKE ANY SPACE STAND OUT IN TERMS OF IMAGE, USAGE
AND FUNCTIONALITY WITH GLYDEA™ MOTORIZED DRAPERIES**

- Glydea™ provides a convenient solution for glare reduction and privacy while also reducing energy costs and protecting furnishings from damaging UV rays.
- Glydea™ creates a positive user experience with superior performance, reliability and ease of operation.
- Glydea™ extends the lifespan of draperies by eliminating the damage associated with manual operation.
- Glydea™ is available for all types of draperies such as Pinch Pleat, RippleFold® and Accordia® so regardless of your preference, you can bring your vision to life!
- Glydea™ is compatible with various types of controls from hand-held remotes, wireless wall switches, table top controls, timers and third-party automation systems.

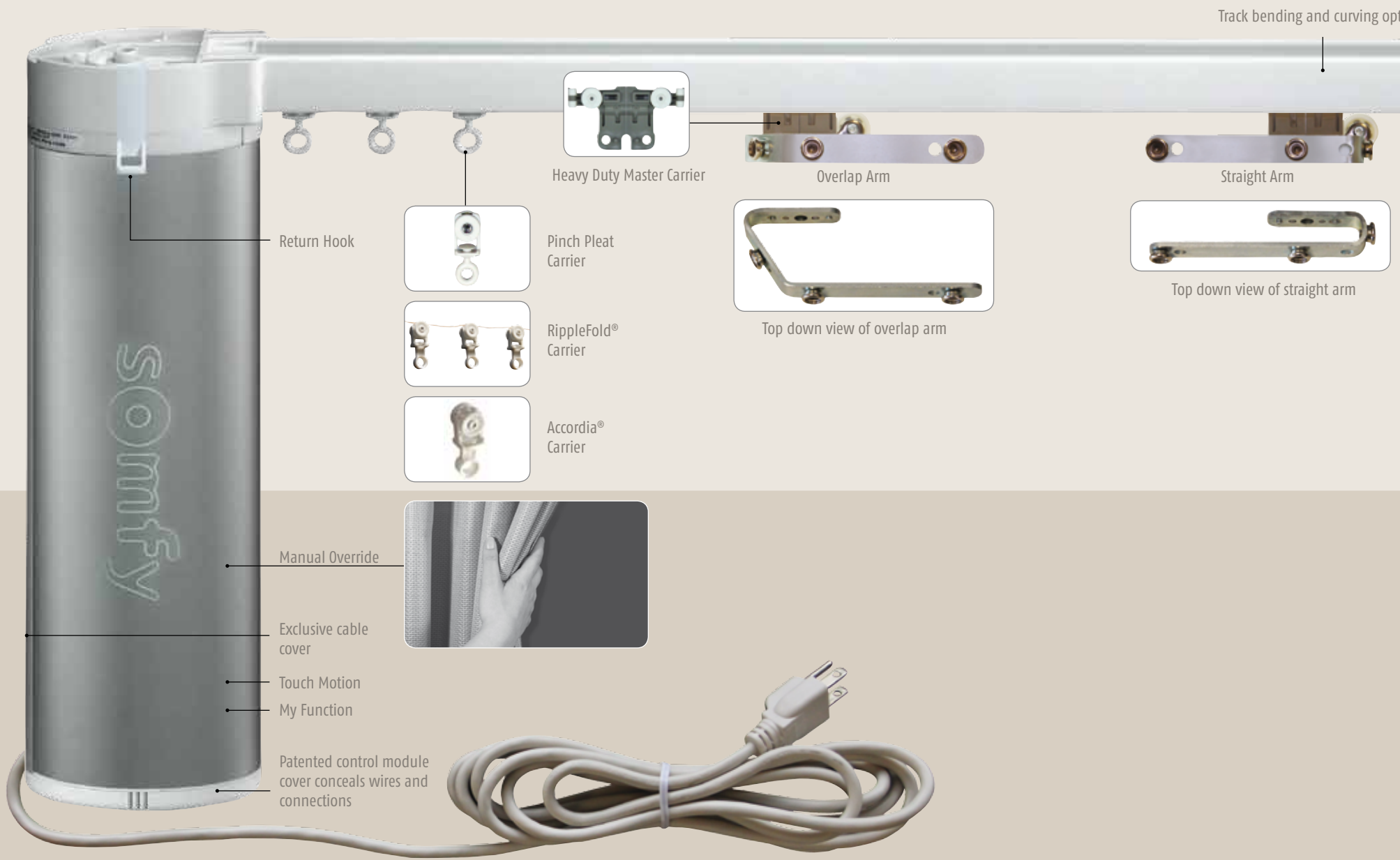
RippleFold® and Accordia® are registered trademarks of Kirsch.



Learn More
VIDEO >

Glydea™, the difference is in the details

The sophistication of Glydea™ is reflected in the simple form and sleek lines of the motor and the track.



Return Hook

Heavy Duty Master Carrier

Pinch Pleat Carrier

RippleFold® Carrier

Accordia® Carrier

Manual Override

Exclusive cable cover

Touch Motion

My Function

Patented control module cover conceals wires and connections

Overlap Arm

Top down view of overlap arm

Track bending and curving option

Straight Arm

Top down view of straight arm

Options available



Belt driven track

Motor can be installed to the right or left side of the track.



One touch ceiling bracket: easy installation



Swivel ceiling bracket: minimum light gap recommended for curves



Adjustable wall mount bracket: adjustability

Aesthetic

- Patented control module cover design conceals unsightly cables and protects the connectors and control modules inside the motor.
- Automatic or adjustable limit setting.
- Track design and swivel ceiling bracket minimize the light gap.
- Soft start and soft stop.
- Back release function and rail design promote optimal stacking of drapery fabric (available with Glydea™ 35).
- Improved arm design provides even overlap and even stack back.

Easy Installation

- Spring loaded one-touch hardware (wall and ceiling mount).
- Motor can also be installed to the right or to the left side of the track.
- Inverse (top mount) option allows the motor to be installed above the track.

Flexibility

- Patented flexible master carrier reduces friction and is adaptable to various drapery types.
- Various control modules allow Glydea™ to easily adapt to third party control protocols.
- Curves and bends available.
- Exclusive cable cover allows you to reverse cable direction for easier access to power.

Efficient

- **Touch Motion** feature allows the user to activate the motorized drapery simply by pulling on the fabric. Two sensitivity settings available (Glydea™ 60e only).
- **Manual Override** disengages the motor when drapery is adjusted manually. This is ideal for power outages and also protects the fabric from damage.
- **My Function** allows user to set a preferred drapery openness position for easy access (Glydea™ 60e only).
- **Adjustable speed:** 4.9"/s to 7.86"/s (Glydea™ 60e only).

Quiet

- Motor design and the use of a timing belt provides quiet operation (<44dBA).

Glydea™, Somfy quality

5 years international warranty. International certifications.



Available Adaptable Control Modules



RTS Control Module



RS485 Control Module



ZigBee® Control Module



Z-Wave® Control Module

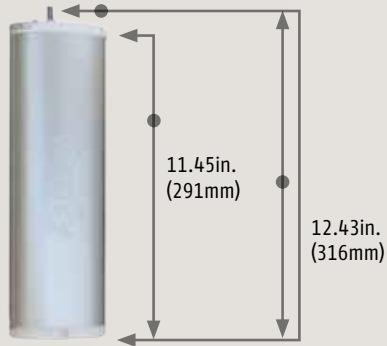
Glydea™ offers a flexible solution for every installation

Adaptable and Universal

- With one rail, two motors and various control modules, Glydea™ offers a wide range of options for any project requirement.
- Rail up to 36 ft. (10.9m) wide with Glydea™ 60e and up to 30 ft. (9m) with Glydea™ 35
- Available with custom bends and curves
- Wide variety of hardware and accessories for various drapery types including Pinch Pleat, RippleFold® and Accordia®

Motor Dimensions

Glydea™ 35 and Glydea™ 60e



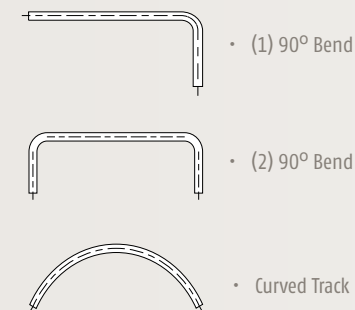
Features overview

	Motor Type	
	Glydea™ 35	Glydea™ 60e
Motor unit main features		
Soft start	✓	✓
Manual operation	✓	✓
Automatic limits on end stop	✓	✓
Back Release	✓	
Soft stop		✓
Intermediate position		✓
Touch motion with 2 sensitivity settings		✓
Adjustable limits		✓
Speed control & adjustment		✓
Control options		
3 normally open dry contacts	✓	✓
2 normally open dry contacts	✓	✓
2 normally open dry contact sequencing mode	✓	✓
Dry contact individual and group & master control	✓	✓
Radio Technology Somfy® RTS	✓	✓
Infrared	✓	✓
RS485 digital technology	✓	✓
Z-Wave®	✓	✓
ZigBee®	✓	✓
Tandem	NA	Contact Brimar
Sun control	✓	✓
Timer control	✓	✓
Installation and setting features		
Setting with buttons on motor unit	✓	✓
Setting with external 3 normally open dry contact switch	✓	✓
LED indicators	✓	✓
Motor unit direction change	✓	✓
Factory reset	✓	✓
Inverse (top mount) mounting	✓	✓
Tracks / Draperies types		
Side opening	✓	✓
Center opening	✓	✓
Asymmetric	✓	✓
Multiple	✓	✓
Pinch pleat	✓	✓
RippleFold® with overlap arm	✓	✓
RippleFold® with butt arm	✓	✓
Accordia®	✓	✓

Motorized track main characteristics

	Glydea™ 35	Glydea™ 60e
Power supply	110 V 50/60 HZ	
Amperage	0.5 A	1A
Average linear speed	20 cm/s	12.5 cm/s to 20 cm/s
Power consumption	60 W	120 W
Power cable type	3-wire cable	3-wire cable
Control connector type	RJ12	RJ12
DCT control circuit voltage	3.3 VDC	3.3 VDC
Motorized track noise level	< 50 dB(A)	- <44 dB(A)*
Certifications	c TUV us, CCC, CE	
Track maximum length	30 ft (9 m)	36 ft (10.9 m)
Maximum number of junctions	2	
Minimum bending radius	11.8 in. (30 cm)	
Minimum curving radius	118 in. (300 cm)	
Side opening max weight	77 lbs./19.6 ft 35 kg./6 m	132 lbs./19.6 ft 35 kg./6 m
Center opening max weight	77 lbs./19.6 ft 35 kg./6 m	132 lbs./19.6 ft 35 kg./6 m
Tandem max weight	Contact Brimar	

Other available rail shapes



For additional technical information, please visit www.brimarinc.com/glydea to download the Glydea Databook.



Plug-in module

Glydea™ offers standard control of dry contact and infrared and is also compatible with various control technologies using plug-in modules including:

- Radio Technology Somfy® (RTS)
- Z-Wave®
- RS485
- ZigBee®



Radio Technology Somfy® (RTS)

With over 10 million installations worldwide, RTS has become the standard for secure radio technology in the industry.

Easily adapt to RTS technology with the RTS plug-in module.

Telis RTS Hand-held Remotes

Single Channel and Five Channel Hand-held Transmitters



Pure Finish
DSF1810632
DSF1810633



Silver Finish
DSF1810639
DSF1810641



Lounge Finish
DSF1810650
DSF1810652



Pure
DSF1811081



Silver
DSF1811082

Telis 16 RTS Transmitter

16 Channel Hand-held with On-screen Display

DecoFlex WireFree™ RTS

Single to Five Channel Wireless Wall Switches
Custom engraved buttons are now available!
Visit somfypro.com/decoflex for ordering information.



Pure

DSF1810897



Ivory

DSF1811072



Black

DSF1810830



Almond

DSF1811181

DecoFlex WireFree™

RTS Table Top Single to Five Channel
Table Top Accessory.
Switch sold separately



White

DSF1811185

Silver

DSF1810972

Black

DSF1811051

Chronis Timer RTS

Schedule draperies to operate automatically



DSF1805176

Indoor Sunis RTS

Sun sensor automatically adjusts motorized draperies



DSF9013707

URTS

16-channel interface allows users to convert infrared, RS-232 and RS-485 protocol into Radio Technology Somfy® (RTS) for RF control of window coverings

Easily integrate with home automation and 3rd party control systems



DSF1810872



Easily adapt to ZigBee® using the ZigBee® plug-in module.



DSF1870220



Easily adapt to Z-Wave® using the Z-Wave® plug-in module.



DSF1870228

Wired Technology



Dry Contact Switch



White
DSF1800219



Ivory
DSF1800220

Decorator Paddle Switch

For use with Glydea 60e wired motors only (1001537)



Maintained White
DSF1800374

Maintained White
Double Pole, Double Throw
DSF1800375



Maintained Ivory
DSF1800373

Maintained Ivory
Double Pole, Double Throw
DSF1800376

For additional information about the Glydea™ motor range please call Brimar at 800.274.1205 or visit us at www.brimarinc.com/glydea



www.brimarinc.com

Brimar
28250 Ballard Drive
Lake Forest, IL 60045
(P) 800.274.1205
(F) 847.247.9270

View product specifications and technical details online in the Somfy® Glydea™ Databook at www.brimarinc.com/glydea

